

AVChoice™ HF-AP

Dedicated Veterinary Imaging System
High Frequency, Anatomically Programmed



AVChoice HF-AP

systems are equipped with an integrated tubestand and an anatomically programmed, high frequency generator providing a cost effective and time saving solution for the veterinarian who seeks maximum capability in minimal space.

Available with a stationary top table, two-way or four-way float top table.



Universal
Keeping Promises for Over Eighty Years.

AVChoice™ HF-AP



The operator control panel with APR (anatomical programming) technique setup conveniently mounts on a swing-out arm off either side of the tubestand. The operator has the ability to bring the control panel forward or swing the control to either side for convenient technique setup at the head or foot of the table.

AVChoice Standard Features:

- Welded construction table with urine trap
- Integrated tubestand travels full length of table
- Angulating tube arm
- Angulation dial and operator handle
- Electric locks
- Foot activated exposure switch
- Grid cabinet with tube stand interlock and: 8:1 ratio, 103 line, 34-44" focal range
- Manual cassette tray
- Non certified manual collimator with built-in spare collimator bulb
- X-ray tube: 140,000 heat unit, 1.0-2.0mm focal spots with 90° horn angle
- Pair 20' high voltage cables, federal terminations
- Available in three models:
Stationary top, AVChoice HF-AP
2-way float top, AVChoice HF-AP Plus
4-way float top, AVChoice HF-AP Plus 4
- CR / DR upgradeable

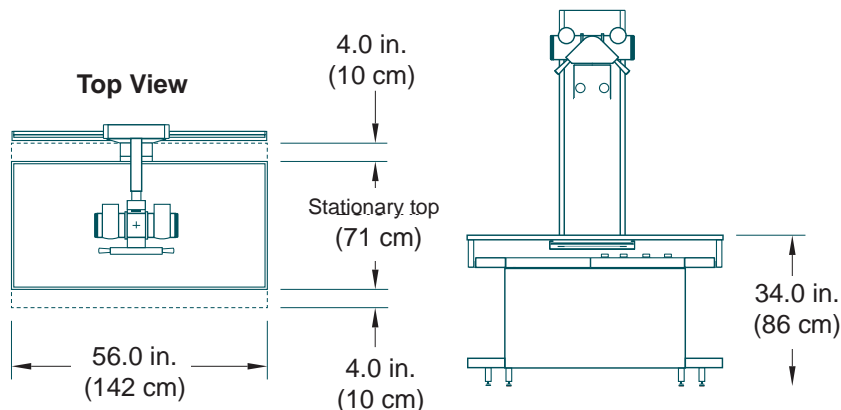
Generator

- ANTHEM 400 mA, 30 kW, Single Phase with anatomical programming

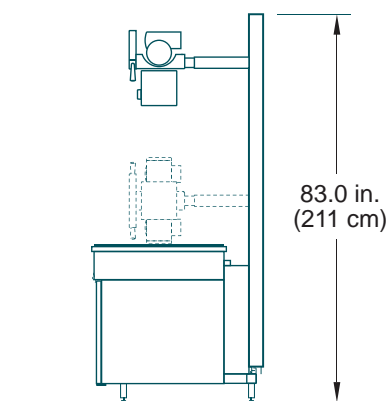
Generator Options:

- Pedestal stand
- Electronics mount in base of table

AVChoice HF-AP (stationary top) & AVChoice HF-AP, Plus (two-way float top) models **Front View**



AVChoice HF-AP - all models **Side View**



AVChoice HF-AP, Plus 4 (four-way float top) models

